
Comfort-Aire®

Century®

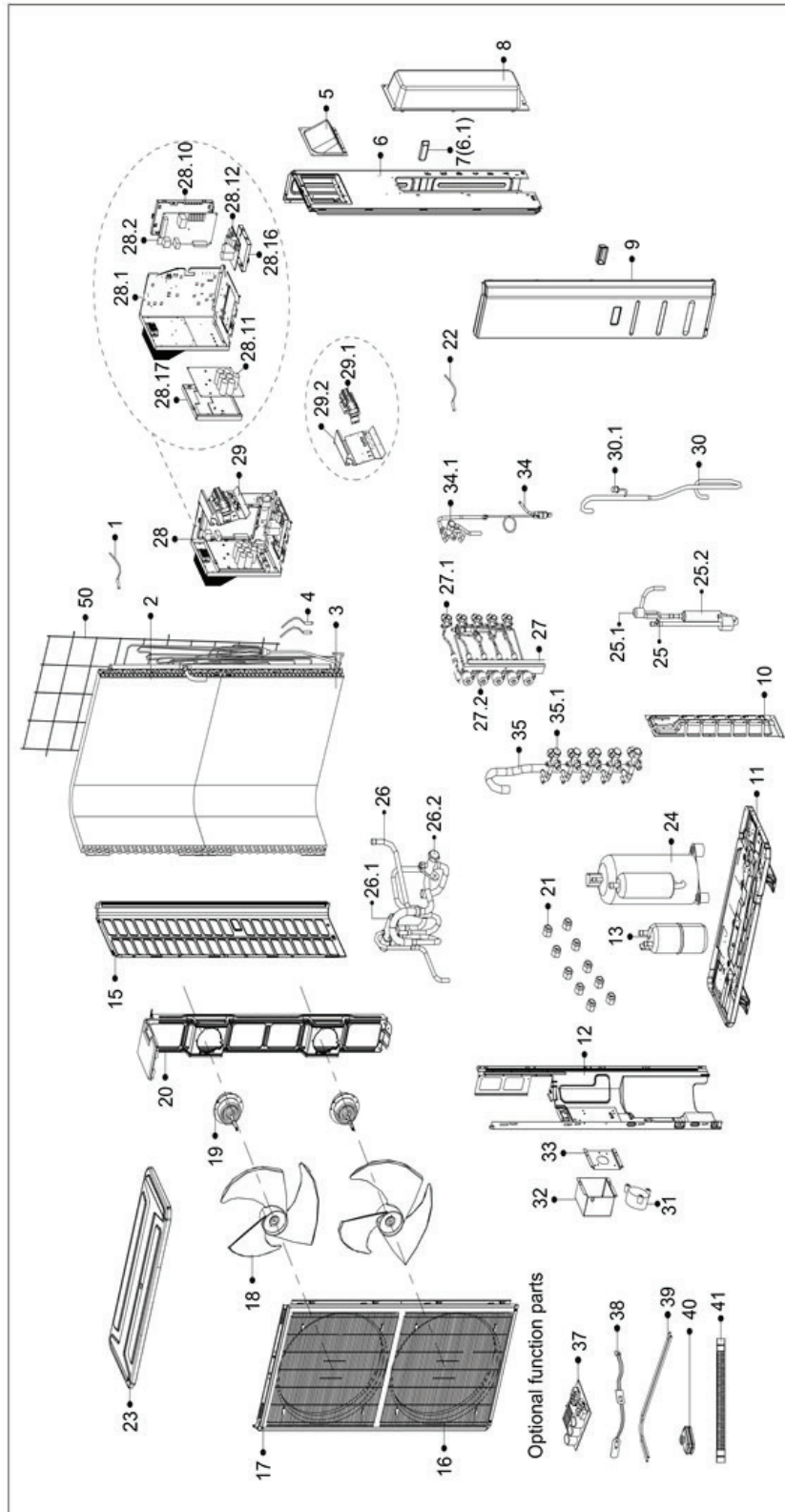


REPLACEMENT PARTS LIST

**Quad Zone Low Temperature
Ductless Mini-Split Outdoor**

A-VMH36QU-1

EXPLODED VIEW



REPLACEMENT PARTS

Location	Part Name	Quantity	Part No.
1	Room Temperature Sensor	1	11201007000039
2	Condenser Assembly	1	15822000007117
3	Condenser Assembly	1	15822000007118
4	Pipe temperature sensor	1	11201007000007
4	Pipe Temperature Sensor	1	11201007001006
5	Big handle assembly	1	12222300000039
6	Rear right clapboard assembly	1	12222000007125
8	Water collector	1	12122000014341
9	Front right clapboard assembly	1	12222000006287
10	Valve plate	1	12222000006744
11	Chassis assembly	1	12222000006290
12	Partition board assembly	1	12222000005733
13	Accumulator cylinder	1	15500508000009
15	Left side plate assembly of cabinet	1	12222000002363
16	Air outlet grille	2	12222000007904
17	Front panel	1	12222000007564
18	Axial flow fan	2	12100105000022
19	Brushless DC Motor	2	11002015002241
20	Supporter subassembly of fan motor	1	12222000006288
21	Copper nut	3	15500406000010
21	Copper nut	5	15500406000012
21	Copper nut	5	15500406000016
22	Discharge Temperature Sensor	1	11201007000138
23	Top cover assembly	1	12222200002359
24	compressor	1	11103020000619
25	Discharge pipe assembly	1	15122000013594
25.1	High Pressure switch	1	17400516000020
25.2	Muffler	1	15500506000012
26	4-way Valve Assembly	1	15422000007214
26.1	4-way valve	1	15500216000681
26.2	Gas valve	1	15500204000049
27	Liquid valve Assembly	1	15422000A01488
27.1	Liquid valve	4	15500208000028
27.2	Electronic expansion valve	4	15500213000565
28	Electronic control box subassembly	1	17222300A01947
28.1	Installation plate of electric parts subassembly	1	12222000006289
28.2	Main control board subassembly	1	17122300A01937
28.10	Electronic installing box	1	17122000A16487
28.11	Inverter control board subassembly	1	17122500A01327
28.12	Inverter control board subassembly	1	17122500A01327
28.16	Electronic installing box	1	12122000014182
28.17	Electronic installing box	1	12122000014343
29	Terminal board subassembly	1	17222000A29949
29.1	Terminal	1	17400401000082
29.1	Wire joint	1	17400401000084
29.1	Wire joint	1	17400401000135
29.2	Terminal install plate	1	12222300000288
30	Suction pipe assembly	1	15122000013597
30.1	Low Pressure switch	1	17400516000008
31	Power Factor Correction Inductor	1	11201101000002
32	Electric inductance cover assembly	1	12222000006284
33	Installation base of inductor	1	12222000006286
34	Liquid valve Assembly	1	15422000007212
34.1	Liquid valve	1	15500208000047
35	Low Pressure Valve assembly	1	15422000A01489
35.1	Gas valve	2	15500204000021
35.1	Gas valve	2	15500204000058
38	Crankcase electric heater	1	17402001000003
39	Electric heating tube	1	17402002000043
41	Drain pipe	1	12100509000059
50	Rear net	1	12222000007944
	Power cable for 4 way valve	1	17401203005377
	Compressor Harness-runs from the compressor to the board	1	17401203000939

Due to ongoing product improvements, specifications and dimensions are subject to change and correction without notice or incurring obligations. Determining the application and suitability for use of any product is the responsibility of the installer. Additionally, the installer is responsible for verifying dimensional data on the actual product prior to beginning any installation preparations.

Incentive and rebate programs have precise requirements as to product performance and certification. All products meet applicable regulations in effect on date of manufacture; however, certifications are not necessarily granted for the life of a product. Therefore, it is the responsibility of the applicant to determine whether a specific model qualifies for these incentive/rebate programs.

Comfort-Cire®  **Century**®

1900 Wellworth Ave., Jackson, MI 49203 • Ph. 517-787-2100 • www.marsdelivers.com

